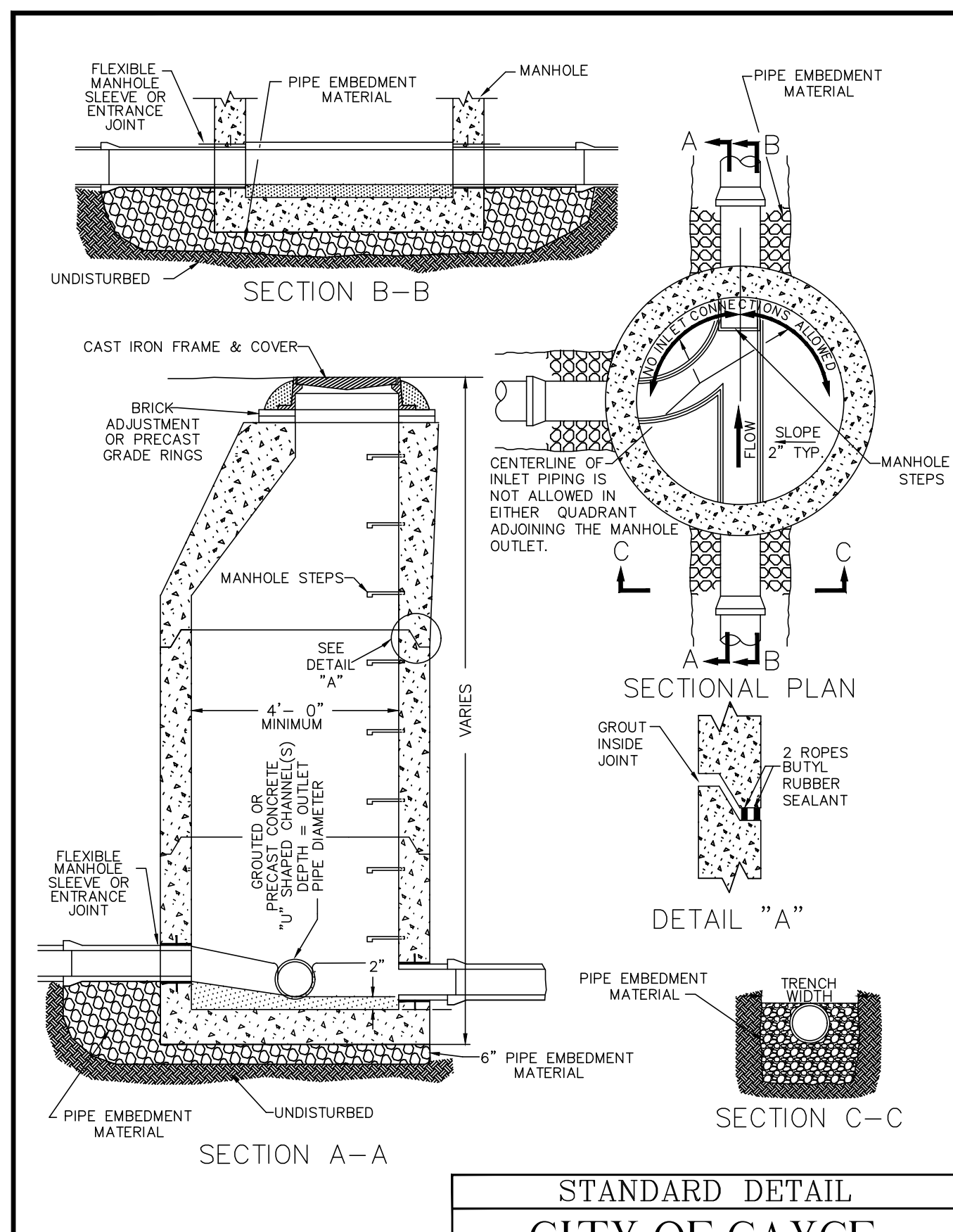
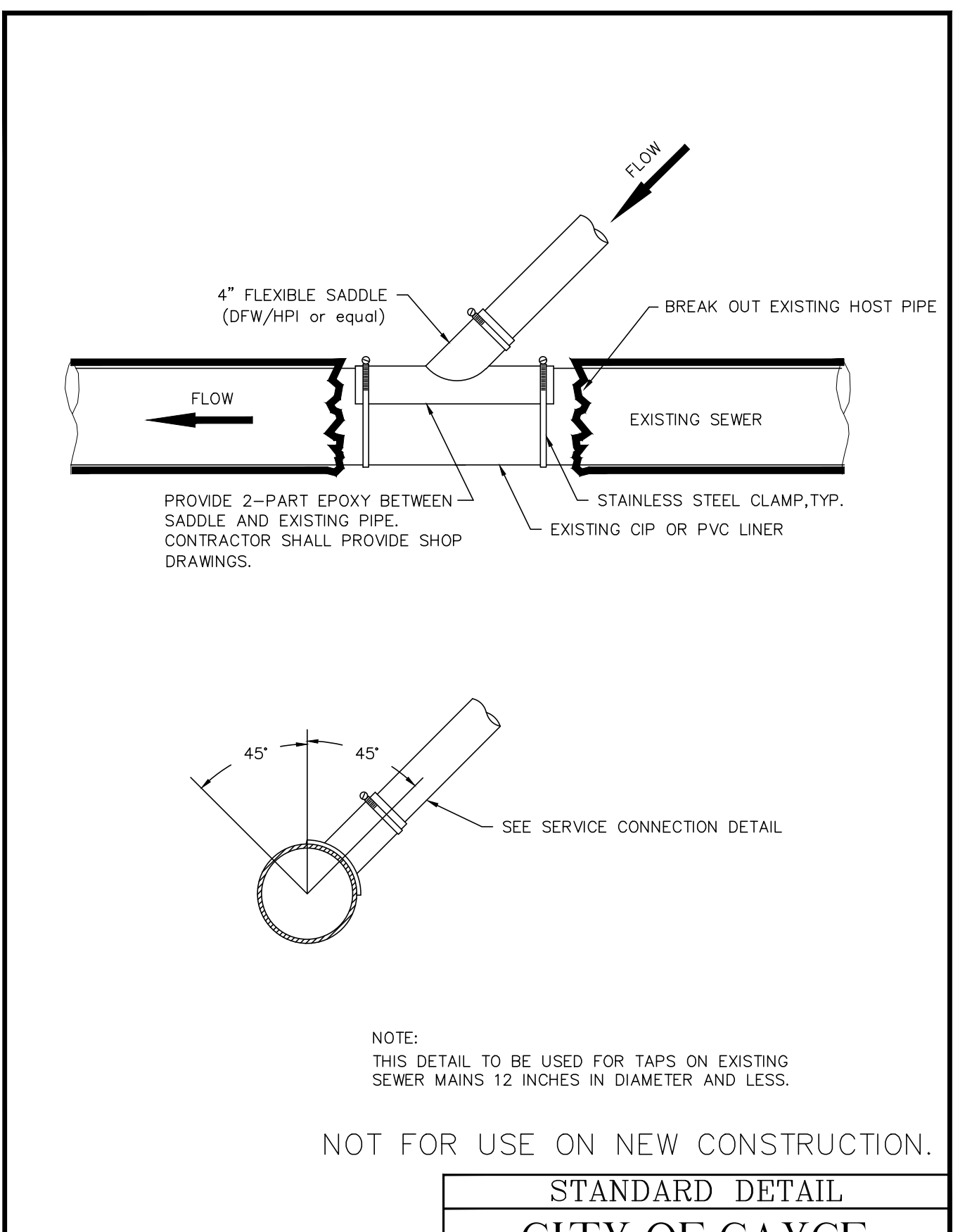


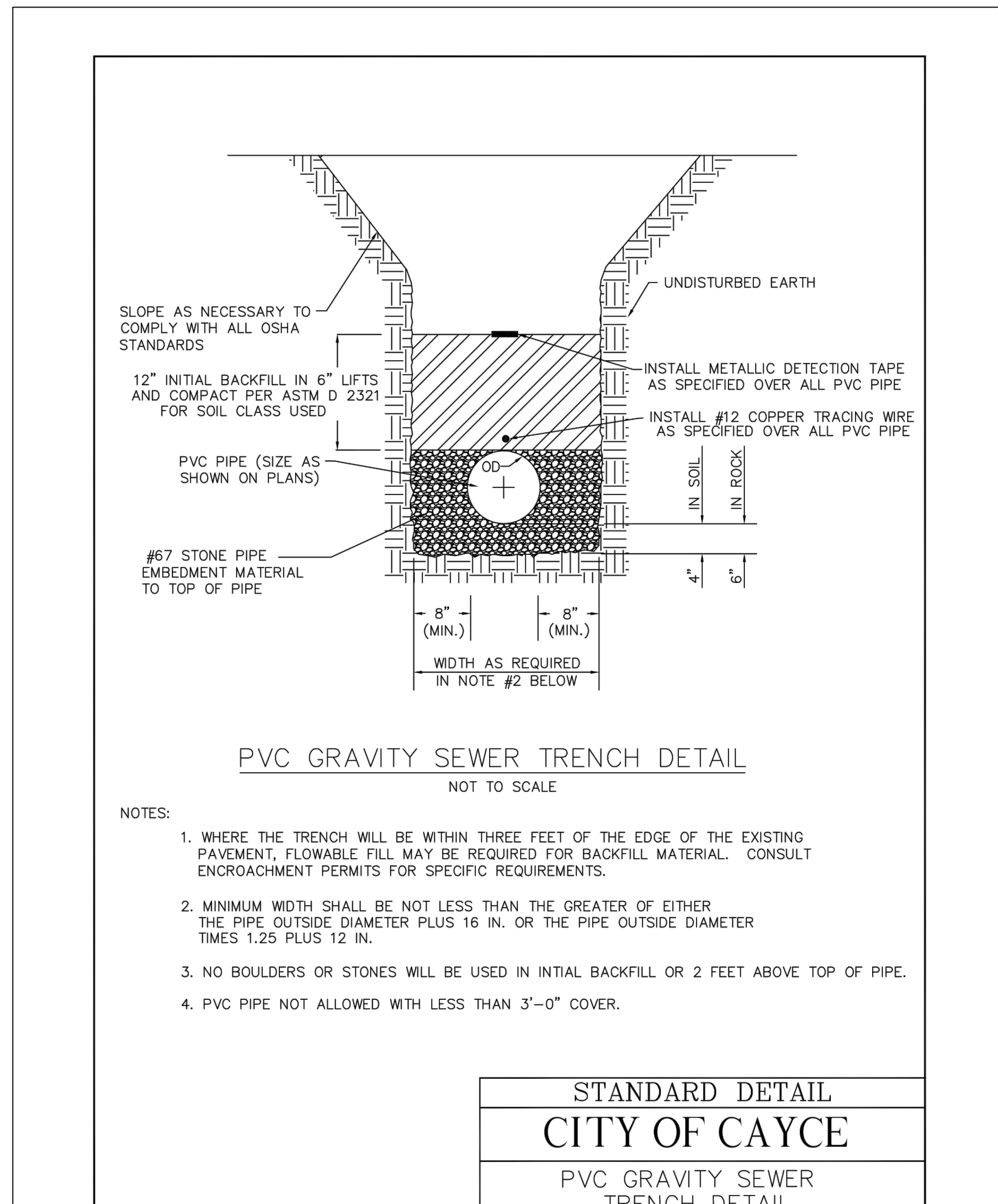
**STANDARD DETAIL**  
**CITY OF CAYCE**  
 STANDARD MANHOLE FRAME & COVER  
 APPROVED: # CAYCE-7A



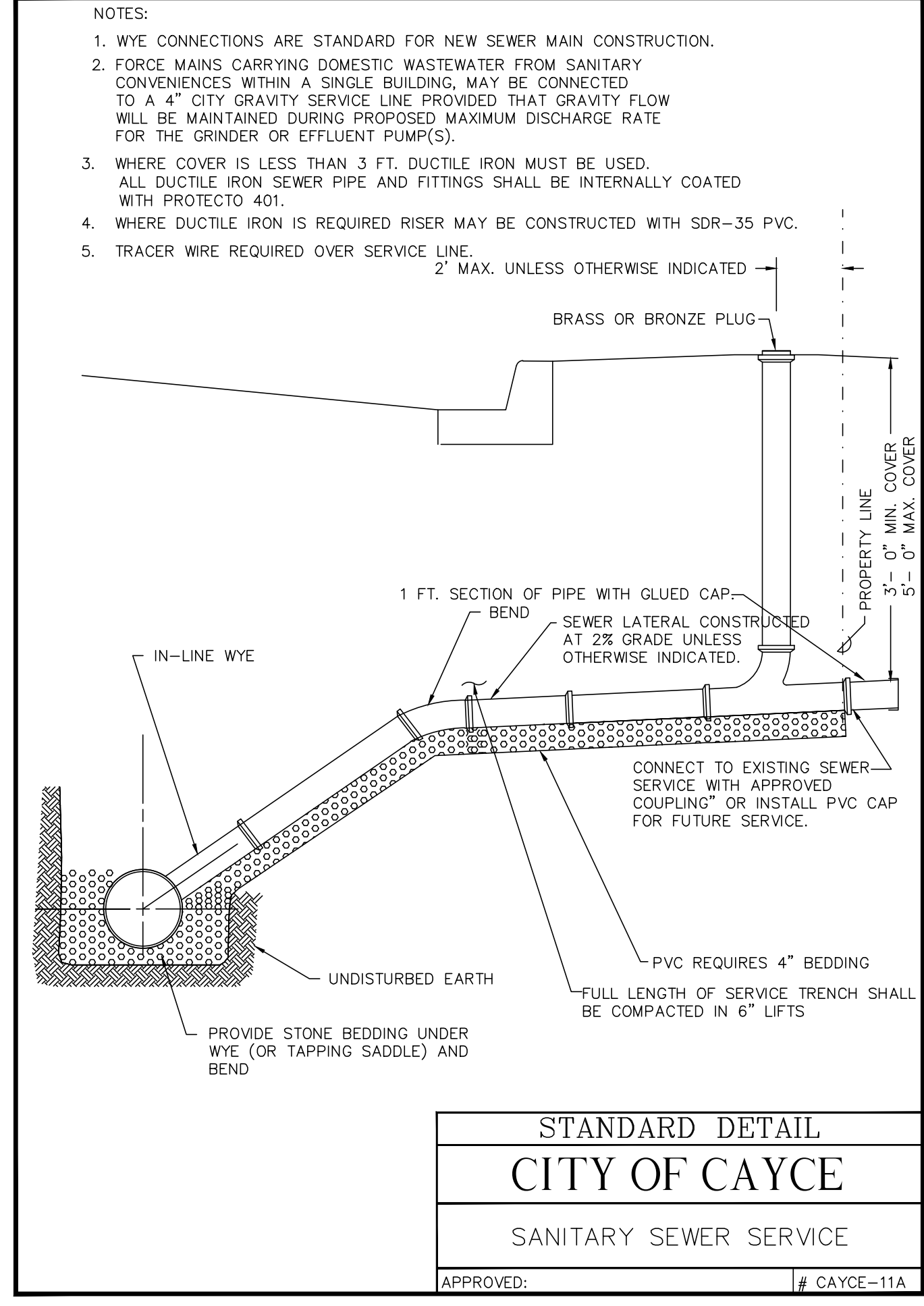
**STANDARD DETAIL**  
**CITY OF CAYCE**  
 STANDARD MANHOLE  
 APPROVED: # CAYCE-1



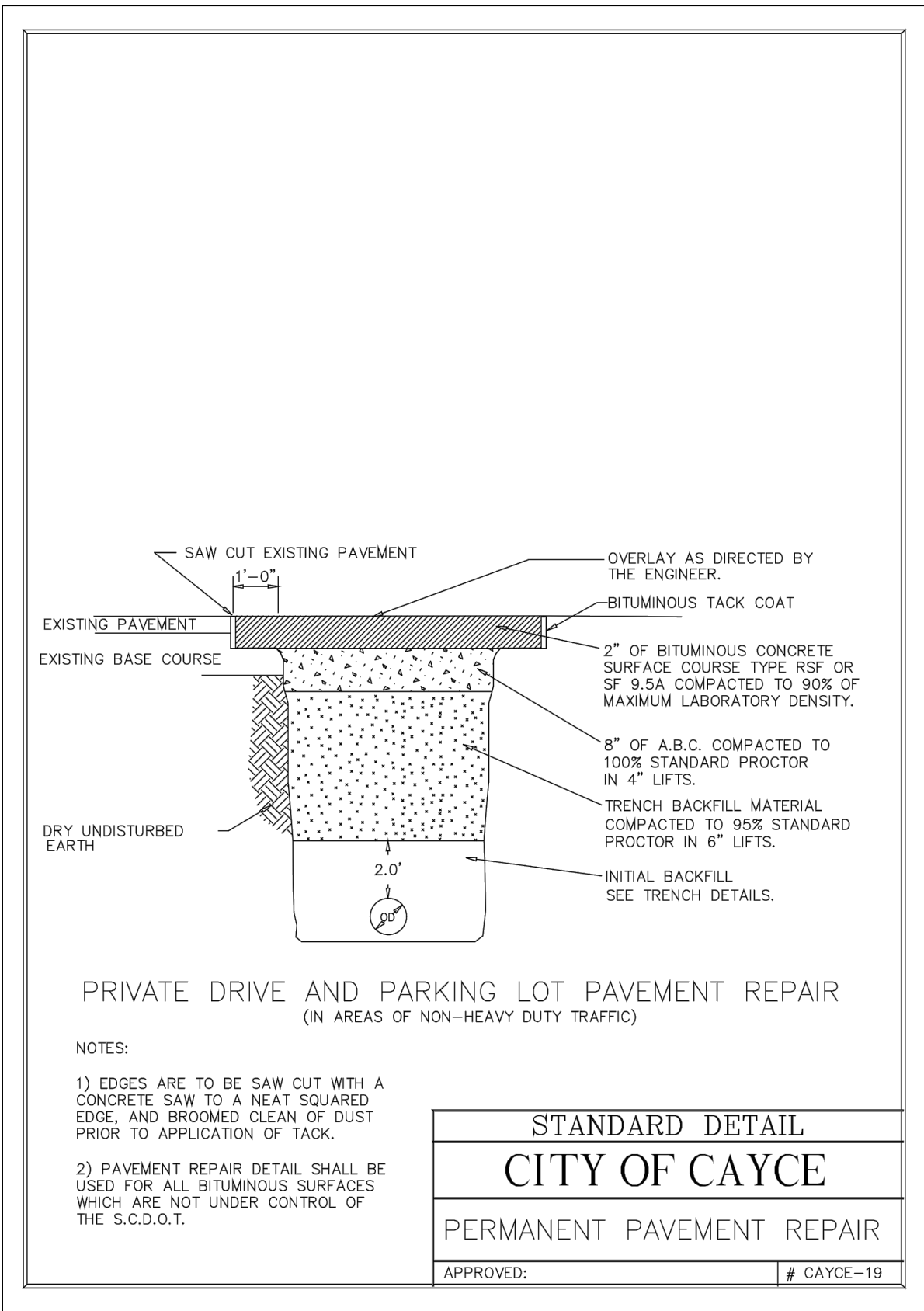
**STANDARD DETAIL**  
**CITY OF CAYCE**  
 TAPPING SADDLE ON EXISTING LINER  
 APPROVED: # CAYCE-9B



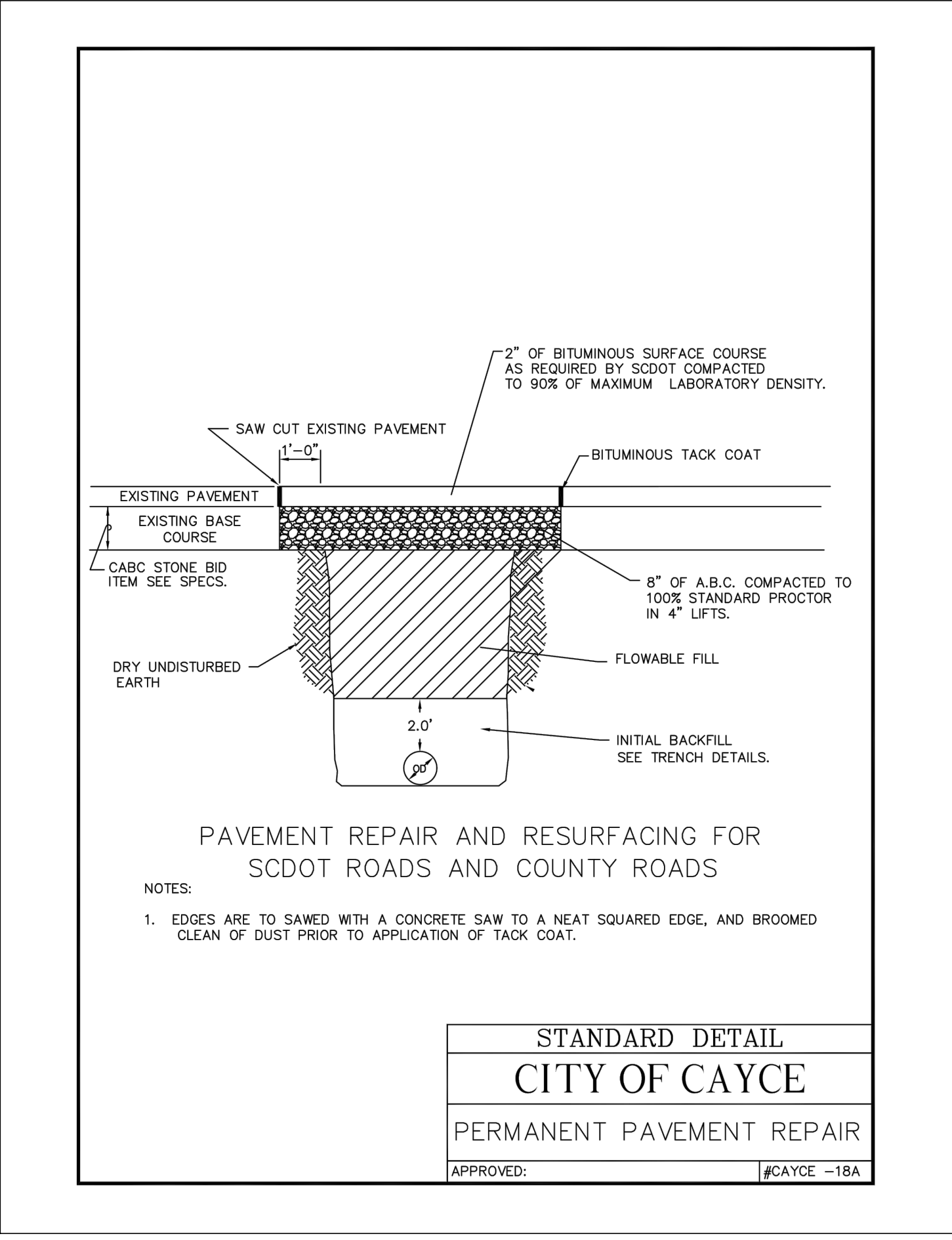
**STANDARD DETAIL**  
**CITY OF CAYCE**  
 PVC GRAVITY SEWER TRENCH DETAIL  
 APPROVED: # CAYCE-23A



**STANDARD DETAIL**  
**CITY OF CAYCE**  
 SANITARY SEWER SERVICE  
 APPROVED: # CAYCE-11A

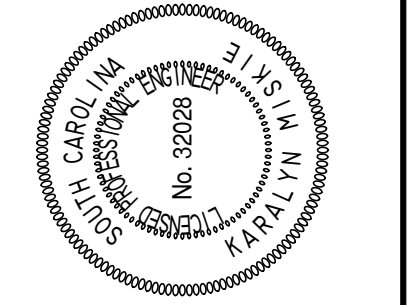


**STANDARD DETAIL**  
**CITY OF CAYCE**  
 PERMANENT PAVEMENT REPAIR  
 APPROVED: # CAYCE-19

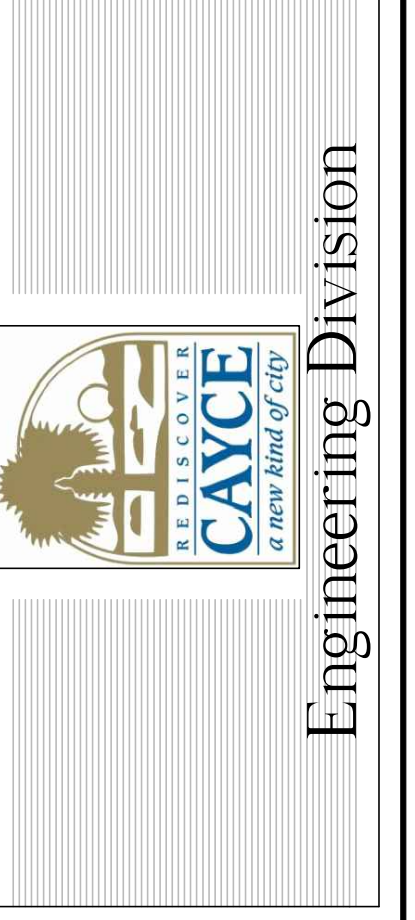


**STANDARD DETAIL**  
**CITY OF CAYCE**  
 PERMANENT PAVEMENT REPAIR  
 APPROVED: # CAYCE-18A

**CITY OF CAYCE, SC**  
 SEWER LINING GRANT PROJECT  
 SANITARY SEWER DETAILS  
 STATE ST. RAILROAD ST., HOLLAND AVE  
 SEWER LINE REPLACEMENT  
 DRAWN: K.S.M. DATE: JULY 2016 JOB:  
 APPROVED: B.A.B. SCALE: NTS. SHEET: 4 OF 4



No.	REVISIONS	DESCRIPTION	DATE



**Engineering Division**