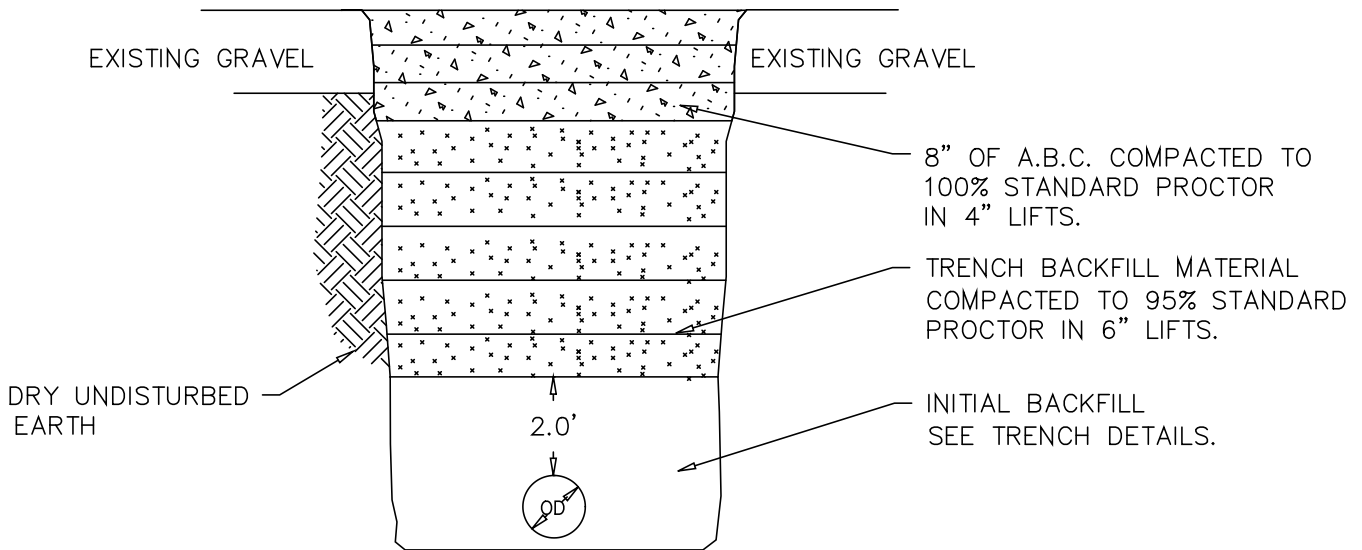


### TRENCH BACKFILL IN EASEMENTS



### GRAVEL SURFACE REPAIR

STANDARD DETAIL  
CITY OF CAYCE

TRENCH BACKFILL

APPROVED:

# CAYCE-20