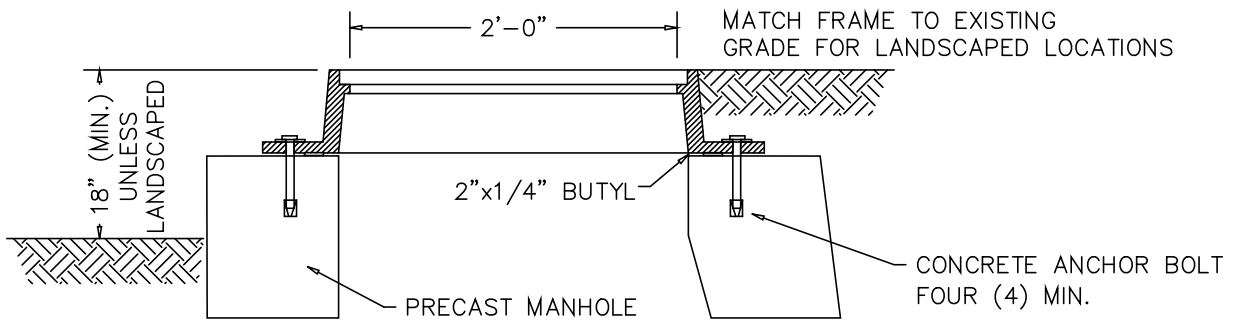
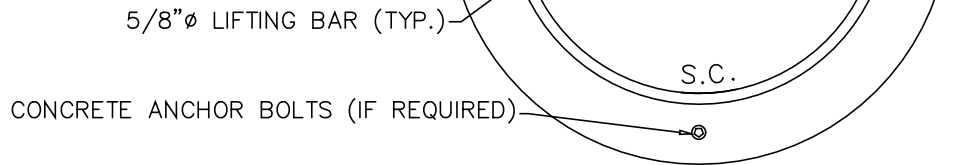
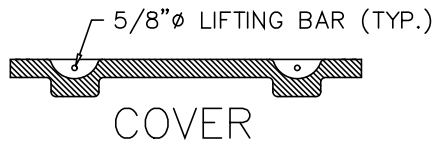
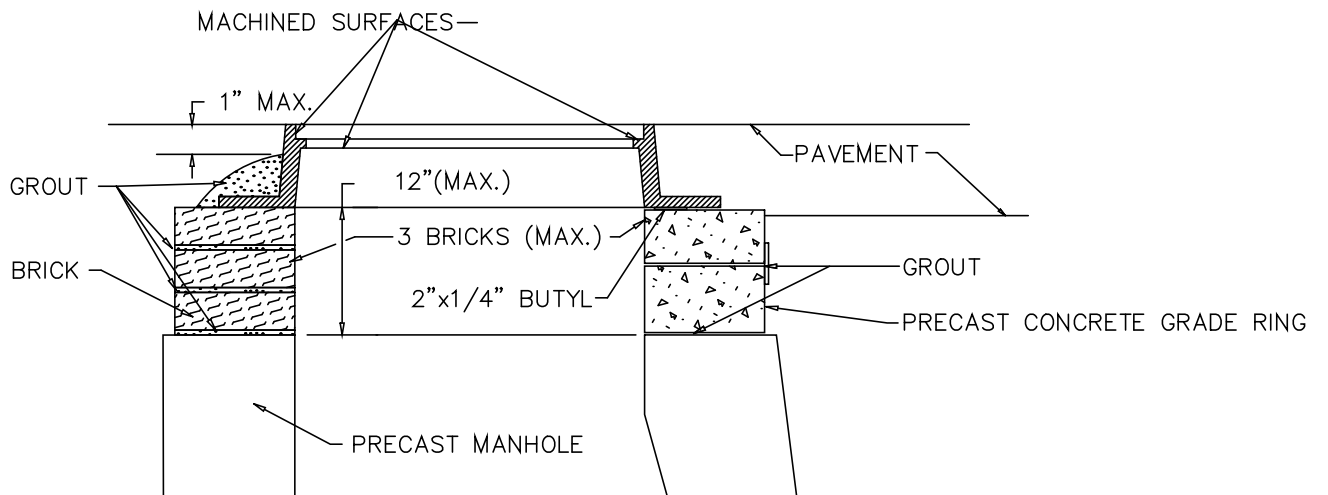


STANDARD RING AND COVER



FRAME SET IN NON-ROADWAY LOCATION



FRAME SET IN ROADWAY LOCATION

NOTE: WHERE M.H. IS IN ROAD SHOULDER AND ROAD DOES NOT HAVE CURB AND GUTTER, DO NOT USE ANCHOR BOLTS IN FRAME.

STANDARD DETAIL	
CITY OF CAYCE	
STANDARD MANHOLE FRAME & COVER	
APPROVED:	# CAYCE-7A