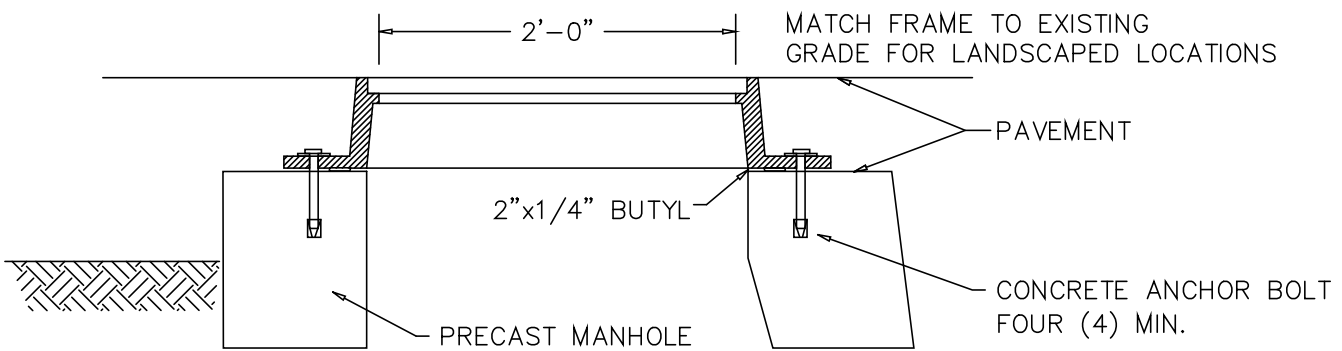


PENTA HEADED S.S. CAM LOCK (IF REQUIRED)

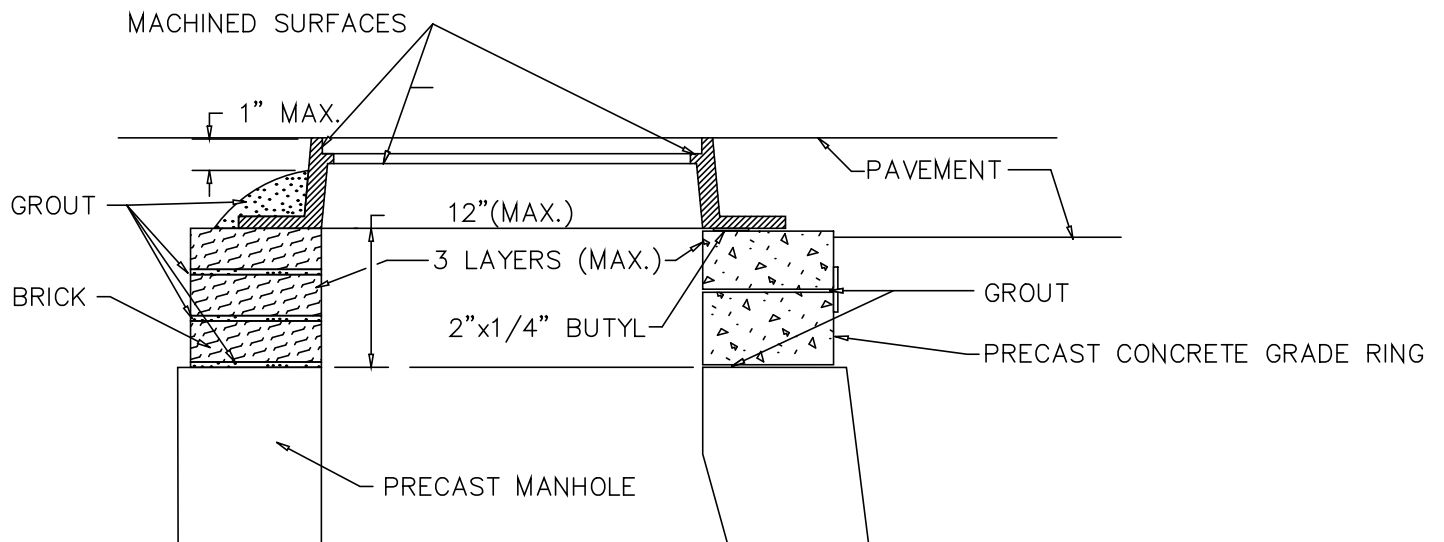
5/8" ϕ LIFTING BAR (TYP.)

CONCRETE ANCHOR BOLTS (IF REQUIRED)

WATERTIGHT RING AND COVER LOCKING



FRAME SET IN NON-ROADWAY LOCATION



FRAME SET IN ROADWAY LOCATION

NOTE: WATERTIGHT FRAME & COVER REQUIRED IN FLOODPLAIN OR WHEN SPECIFIED ON PLANS

STANDARD DETAIL	
CITY OF CAYCE	
WATERTIGHT MANHOLE FRAME & COVER	
APPROVED:	DCAYCE-7B