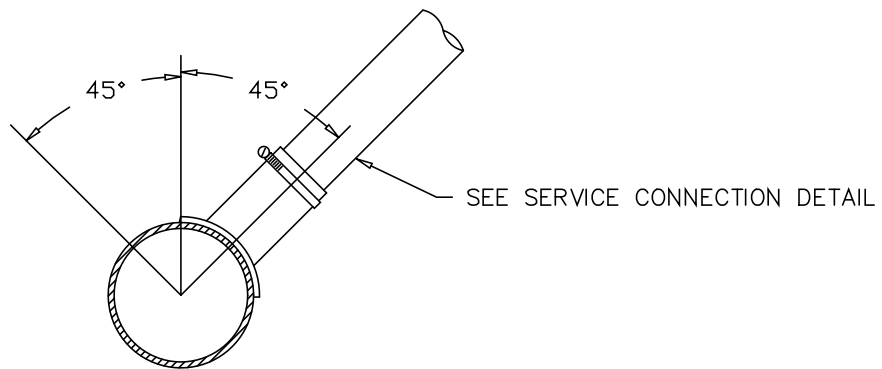


PROVIDE 2-PART EPOXY BETWEEN SADDLE AND EXISTING PIPE. CONTRACTOR SHALL PROVIDE SHOP DRAWINGS.

STAINLESS STEEL CLAMP, TYP.



NOTE:

THIS DETAIL TO BE USED FOR TAPS ON EXISTING SEWER MAINS 12 INCHES IN DIAMETER AND LESS.

NOT FOR USE ON NEW CONSTRUCTION.

STANDARD DETAIL	
CITY OF CAYCE	
TAPPING SADDLE ON EXISTING SEWER	
APPROVED:	# CAYCE-9